

THIS DRAWING IS UNPUBLISHED.

RELEASED FOR PUBLICATION

© COPYRIGHT 1963 By -

ALL RIGHTS RESERVED.

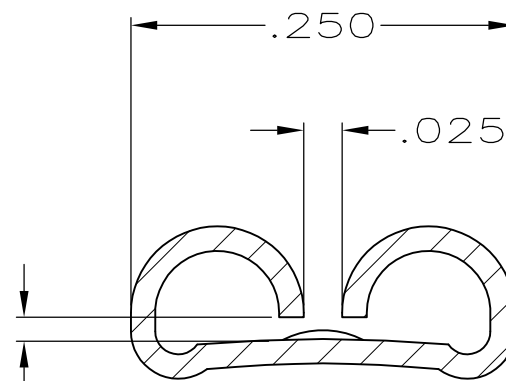
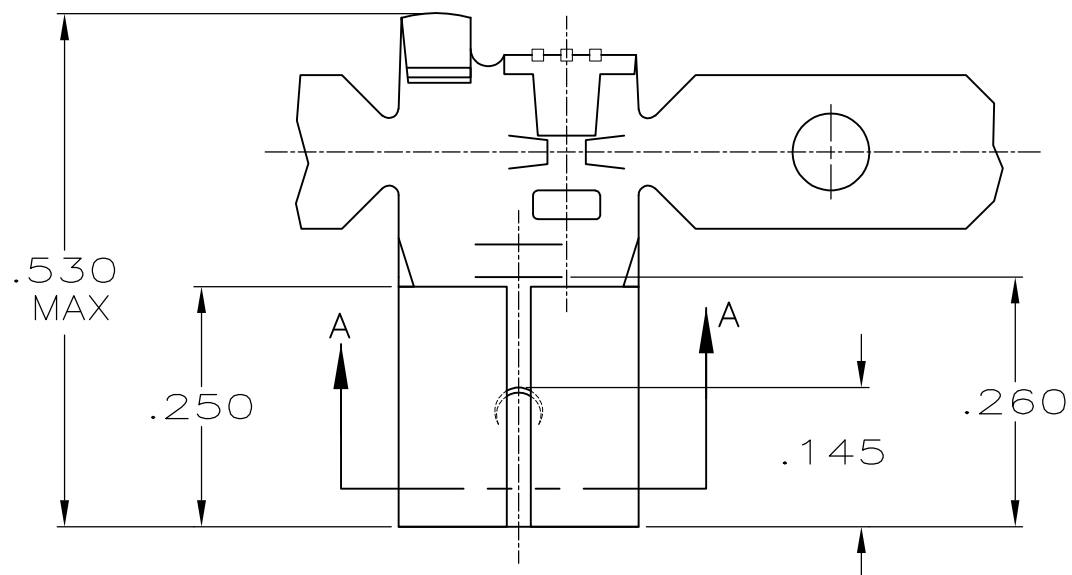
LOC
AF

DIST
50

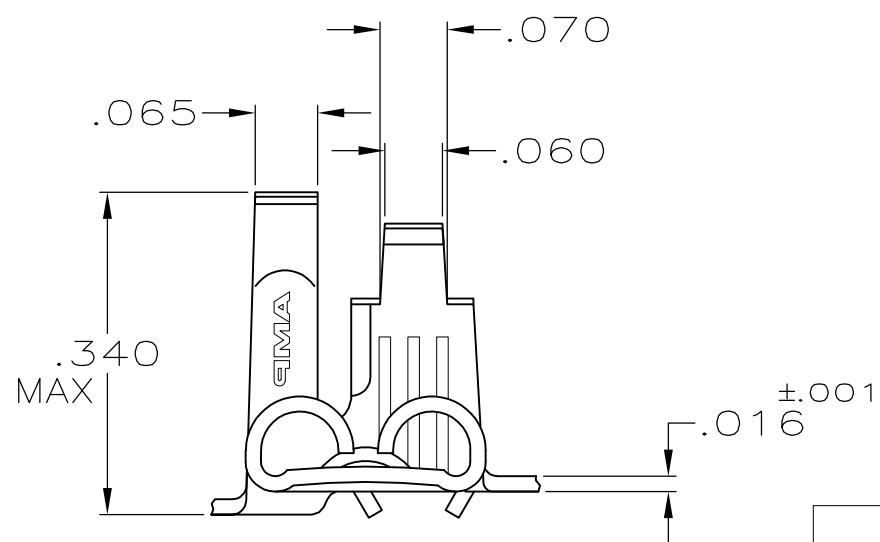
REVISIONS


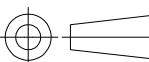
| P | LTR | DESCRIPTION | DATE | DWN | APVD |
|---|-----|---------------------------|---------|-----|------|
| D | | REVISED PER ECR-12-013445 | 18OCT12 | KH | PD |

- 1 CONTINUOUS STRIP ON REELS.
- 2 FEED IS $.650 \pm .005$.
- 3 NON-STANDARD DESIGNS. NEW APPLICATIONS MUST BE SUBMITTED TO GATD PRODUCT ENGINEERING FOR APPROVAL. FOR PREFERRED DESIGNS REFER TO C-42711.



SECTION A-A
SCALE 8:1



| | | | | |
|---|------------------|----------------------------------|---|---------------|
| TIN PLATE | .110-.170 | 20-14 | .032 | 60195-2 |
| - | .110-.170 | 20-14 | .032 | 60195-1 |
| FINISH | INSULATION RANGE | WIRE RANGE | MATING TAB THICKNESS $\pm .001$ | PART NUMBER |
| THIS DRAWING IS A CONTROLLED DOCUMENT. | | DWN M.S. FEHER 27SEP2004 |  TE Connectivity RECEPTACLE, FASTON, FLAG, .205 SERIES | |
| DIMENSIONS: INCHES | | CHK P. DESANTIS 27SEP2004 | | |
|  | | APVD P. DESANTIS 27SEP2004 | | |
| TOLERANCES UNLESS OTHERWISE SPECIFIED: | | PRODUCT SPEC | NAME | |
| 0 PLC $\pm -$ | | - | - | |
| 1 PLC $\pm -$ | | APPLICATION SPEC | - | |
| 2 PLC $\pm -$ | | - | SIZE | CAGE CODE |
| 3 PLC $\pm .015$ | | - | A3 | 00779 |
| 4 PLC $\pm -$ | | WEIGHT | DRAWING NO | RESTRICTED TO |
| ANGLES $\pm 1^\circ$ | | - | C-60195 | - |
| MATERIAL | FINISH | CUSTOMER DRAWING | | |
| BRASS | SEE TABLE | SCALE | SHEET | REV |
| | | 5:1 | 1 OF 1 | D |